

RK 11-1699

Collection Bowl/Heater Feed-thru Retrofit Kit for 900FG or 1000FG Turbine Series Fuel Filter/Water Separators

Instruction Part Number 11-1701 Rev B

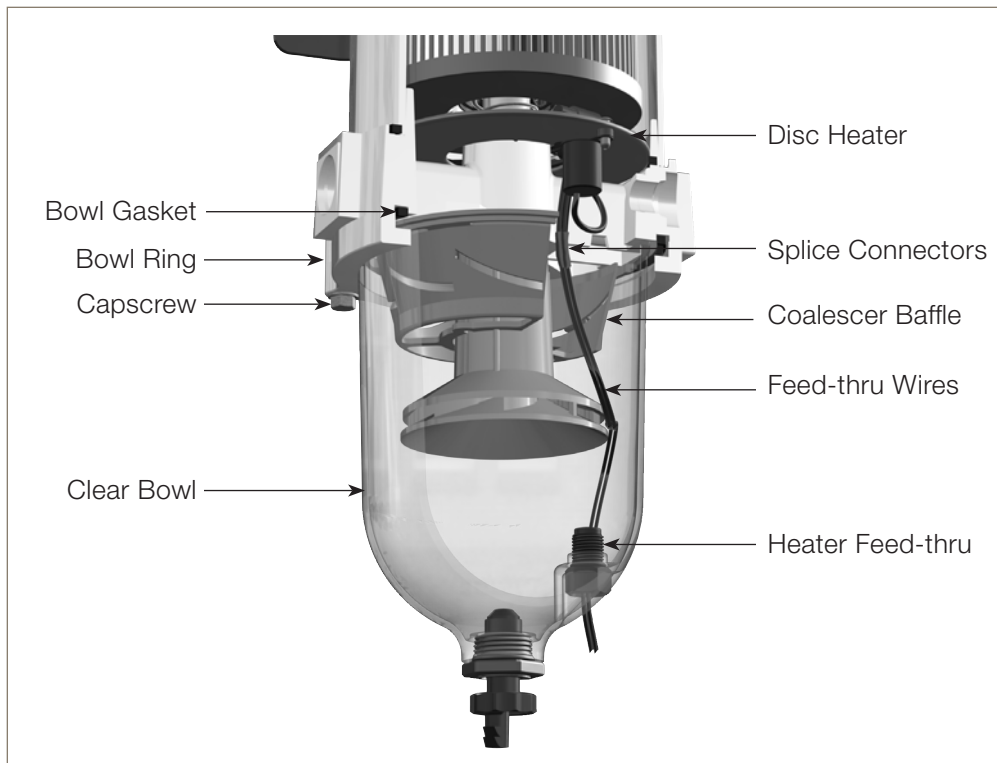


Read all instructions prior to installation.
Do not smoke or allow open flames when
servicing unit.

Tools required:

- Wire cutter and crimper
- 3/8" socket wrench
- Heat gun
- Fuel collection container

1. Disconnect battery, unplug heater wires from assembly.
2. Close any fuel supply valves. Completely drain assembly.
3. Remove T-handle, lid and filter. Discard T-handle O-ring and lid gasket. On rebuild, clean all sealing contact surfaces and visually inspect for damage or debris. Lubricate new gasket and O-ring with diesel fuel or motor oil prior to installation.
4. Remove all capscrews. Lower bowl ring and bowl. Discard bowl gasket. On rebuild, clean all sealing contact surfaces and visually inspect for damage or debris. Lubricate new gasket with clean grease and install in Base Gasket gland (grease should hold gasket in position until bowl is reattached).



Contact Information

Parker Hannifin Corporation
Racor Division
P.O. Box 3208
3400 Finch Road
Modesto, CA 95353

phone 800 344 3286
209 521 7860
fax 209 529 3278
racor@parker.com

www.racorcustomers.com
www.parker.com/racor

5. Cut and remove heater wire terminals, strip 1/4" of insulation from ends.
6. Install Heater Feed-thru into bowl hand tight. Run wires around turbine and through Coalescer Baffle bottom opening (see illustration). Attach wires to heater—there is no polarity, either wire will work. Ensure connectors are very secure.
7. Using a heat gun, shrink fit connectors to wires. Tuck excess wires under Coalescer Baffle.
8. Attach bowl to base using bowl ring and (4) capscrews. Rotate bowl feed-thru to most protected location once assembled. Tighten capscrews 55-65 inch pounds, only, to avoid stripping threads.
9. Replace filter and fill housing with clean fuel. Replace lid and T-handle - hand-tight only, do not use tools.
10. Connect power and ground wires to feed-thru using remaining splice connectors. Use heat gun as before.
11. Reattach battery. Start engine and check for leaks. Correct as necessary with engine off.



ENGINEERING YOUR SUCCESS.

Limited Warranties Statement

All products manufactured or distributed by Racor are subject to the following, and only the following, LIMITED EXPRESS WARRANTIES, and no others: For a period of one (1) year from and after the date of purchase of a new Racor product, Racor warrants and guarantees only to the original purchaser-user that such a product shall be free from defects of materials and workmanship in the manufacturing process. The warranty period for pumps and motors is specifically limited to ninety (90) days from date of purchase. A product claimed to be defective must be returned to the place of purchase. Racor, at its sole option, shall replace the defective product with a comparable new product or repair the defective product. This express warranty shall be inapplicable to any product not properly installed and properly used by the purchaser-user or to any product damaged or impaired by external forces.

THIS IS THE EXTENT OF WARRANTIES AVAILABLE ON THIS PRODUCT. RACOR SHALL HAVE NO LIABILITY WHATSOEVER FOR CONSEQUENTIAL DAMAGES

FLOWING FROM THE USE OF ANY DEFECTIVE PRODUCT OR BY REASON OF THE FAILURE OF ANY PRODUCT. RACOR SPECIFICALLY DISAVOWS ALL OTHER WARRANTIES, EXPRESS OR IMPLIED INCLUDING, WITHOUT LIMITATION, ALL WARRANTIES OF FITNESS FOR A PARTICULAR PURPOSE (EXCEPT FOR THOSE WHICH APPLY TO PRODUCT OR PART THEREOF THAT IS USED OR BOUGHT FOR USE PRIMARILY FOR PERSONAL, FAMILY, OR HOUSEHOLD PURPOSES), WARRANTIES OF DESCRIPTION, WARRANTIES OF MERCHANTABILITY, TRADE USAGE OR WARRANTIES OR TRADE USAGE.

Warning

Failure or improper selection or improper use of the products and/or systems described herein or related items can cause death, personal injury and property damage. This document and other information from Parker Hannifin Corporation, its subsidiaries and authorized distributors provide product

and/or system options for further investigation by users having technical expertise. It is important that you analyze all aspects of your application and review the information concerning the product or system in the current product catalog. Due to the variety of operating conditions and applications for these products or systems, the user, through its own analysis and testing, is solely responsible for making the final selection of the products and systems and assuring that all performance, safety and warning requirements of the applications are met. The products described herein, including with limitation, product features, specifications, designs, availability and pricing, are subject to change by Parker Hannifin Corporation and its subsidiaries at any time without notice.

The following statement is required pursuant to proposition 65, applicable in the State of California: 'This product may contain a chemical known to the State of California to cause cancer or reproductive toxicity'